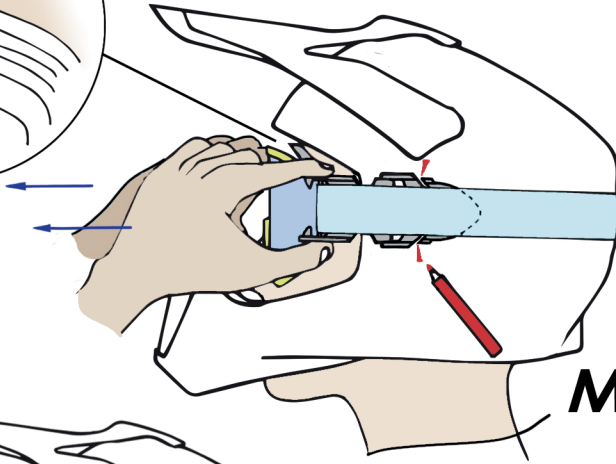
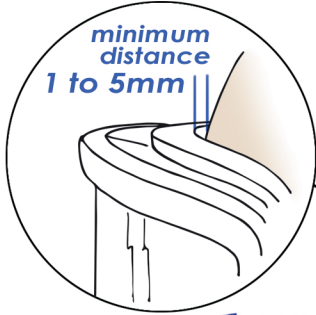
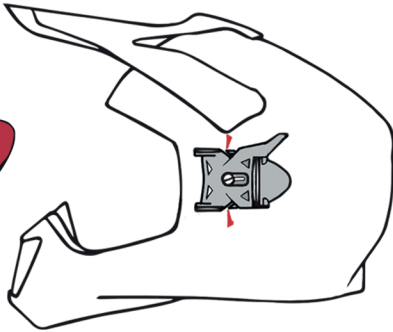
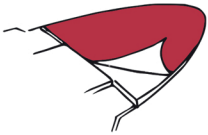


## CLEAN



## MARK

## STICK



min  
20°C / 70°F

Sticking %	
20mn	50%
24 h	90%
72 h	100%

## ADJUST

(max 10 mm)

